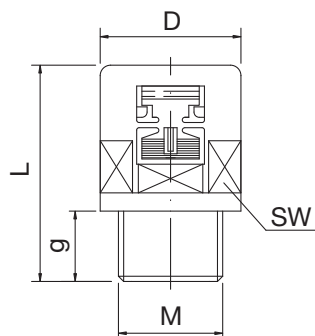


Raccordi IP54

Raccordo diritto filetto nylon metrico maschio, IP54	pag. 37
Raccordo 90° filetto nylon metrico maschio, IP54	pag. 38
Raccordo 90° girevole filetto nylon metrico maschio, IP54	pag. 39
Raccordo 45° filetto nylon metrico maschio, IP54	pag. 39
Raccordo diritto filetto nylon PG maschio, IP54	pag. 40
Raccordo 90° filetto nylon PG maschio, IP54	pag. 41
Raccordo 90° girevole, IP54	pag. 42
Raccordo 45° filetto nylon PG maschio, IP54	pag. 43
Raccordo diritto filetto metallico metrico maschio, IP54	pag. 44
Raccordo 90° filetto metallico metrico maschio, IP54	pag. 45
Raccordo diritto filetto metallico PG maschio, IP54	pag. 46
Raccordo 90° filetto metallico PG maschio, IP54	pag. 47
Raccordo 45° filetto metallico PG maschio, IP54	pag. 48
Raccordo diritto filetto PG femmina, IP54	pag. 49
Raccordo diritto filetto UNEF/UNS femmina, IP54	pag. 50
Raccordo diritto ad incastro, IP54	pag. 51



Raccordo diritto filetto nylon metrico maschio, IP54



PA-G O G

PA-G O B

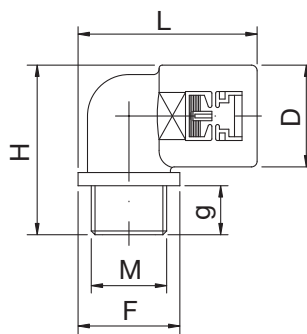


Codice grigio	nero	Diametro Nominale	M	g	D	L	SW	Peso kg/100 pz.	Conf. pz.
PA-G O G-07M101	PA-G O B-07M101	07	10x1,0	10,0	17,2	36,3	15	0,29	50
PA-G O G-07M12	PA-G O B-07M12	07	12x1,5	10,0	18,5	36,3	15	0,29	50
PA-G O G-07M16	PA-G O B-07M16	07	16x1,5	10,0	22,5	36,3	15	0,29	50
PA-G O G-07M20	PA-G O B-07M20	07	20x1,5	10,0	24,5	36,3	15	0,29	50
PA-G O G-10M12	PA-G O B-10M12	10	12x1,5	9,5	18,5	33,5	15	0,44	50
PA-G O G-10M16	PA-G O B-10M16	10	16x1,5	9,5	18,0	33,5	15	0,40	50
PA-G O G-10M20	PA-G O B-10M20	10	20x1,5	12,0	26,5	36,5	15	0,40	50
PA-G O G-12M16	PA-G O B-12M16	12	16x1,5	9,5	21,8	33,5	17	0,42	50
PA-G O G-12M20	PA-G O B-12M20	12	20x1,5	12,5	27,0	36,5	17	0,48	50
PA-G O G-17M20	PA-G O B-17M20	17	20x1,5	13,0	27,5	41,0	24	0,75	50
PA-G O G-17M25	PA-G O B-17M25	17	25x1,5	12,0	29,0	40,0	24	0,69	50
PA-G O G-17M32	PA-G O B-17M32	17	32x1,5	12,0	35,0	40,0	24		50
PA-G O G-23M25	PA-G O B-23M25	23	25x1,5	14,0	36,5	53,0	32	1,55	30
PA-G O G-23M32	PA-G O B-23M32	23	32x1,5	14,0	38,5	53,0	32	1,46	30
PA-G O G-29M32	PA-G O B-29M32	29	32x1,5	14,0	42,0	54,0	38	2,10	30
PA-G O G-29M40	PA-G O B-29M40	29	40x1,5	14,0	46,5	54,0	38	2,10	30
PA-G O G-36M40	PA-G O B-36M40	36	40x1,5	14,0	52,5	57,5	46	2,91	10
PA-G O G-36M50	PA-G O B-36M50	36	50x1,5	14,0	56,5	57,5	46	2,91	10
PA-G O G-48M50	PA-G O B-48M50	48	50x1,5	14,0	65,5	62,0	60	4,65	10
PA-G O G-48M63	PA-G O B-48M63	48	63x1,5	13,5	69,0	61,0	60	4,65	10

Altre misure disponibili a richiesta

* UL recognized File E 168970

Raccordo 90° filetto nylon metrico maschio, IP54



PA-W O G

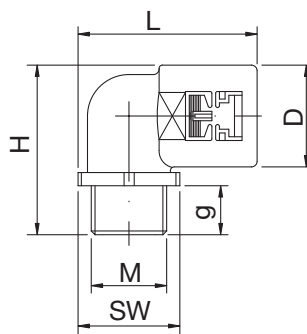
PA-W O B



Codice grigio	nero	Diametro Nominale	M	g	D	L	H	F	Peso kg/100 pz.	Conf. pz.
PA-S O G-07M101	PA-S O B-07M101	07	10 x 1,0	10,0	17,2	43,8	42,8	17,0	0,87	50
PA-S O G-07M12	PA-S O B-07M12	07	12 x 1,5	10,0	17,2	44,5	42,8	18,5	0,89	50
PA-S O G-07M16	PA-S O B-07M16	07	16 x 1,5	10,0	17,2	46,5	42,8	22,5	0,89	50
PA-S O G-07M20	PA-S O B-07M20	07	20 x 1,5	10,0	17,2	47,5	42,8	24,5	0,93	50
PA-W O G-10M12	PA-W O B-10M12	10	12 x 1,5	10,5	18,0	39,3	33,5	20,0		50
PA-W O G-10M16	PA-W O B-10M16	10	16 x 1,5	10,5	18,0	40,3	33,5	22,0	0,70	50
PA-W O G-10M20	PA-W O B-10M20	10	20 x 1,5	11,0	18,0	41,5	35,0	24,5	0,80	50
PA-W O G-12M16	PA-W O B-12M16	12	16 x 1,5	11,0	20,8	42,0	36,5	21,0	0,88	50
PA-W O G-12M20	PA-W O B-12M20	12	20 x 1,5	11,0	20,8	43,8	36,5	24,5	0,90	50
PA-W O G-17M20	PA-W O B-17M20	17	20 x 1,5	13,0	27,0	47,5	45,0	27,0	1,26	50
PA-W O G-17M25	PA-W O B-17M25	17	25 x 1,5	13,0	27,0	47,5	45,0	29,0		50
PA-W O G-23M25	PA-W O B-23M25	23	25 x 1,5	14,0	35,0	65,5	54,0	36,0	2,60	30
PA-W O G-29M32	PA-W O B-29M32	29	32 x 1,5	14,0	41,8	73,3	60,9	41,5	3,60	30
PA-W O G-36M40	PA-W O B-36M40	36	40 x 1,5	14,0	51,8	86,3	70,0	51,5	6,09	10
PA-W O G-48M50	PA-W O B-48M50	48	50 x 1,5	14,0	63,8	102,5	82,3	64,5	9,40	10

* UL recognized File E 168970

Raccordo 90° girevole filetto nylon metrico maschio, IP54



PA-S O G

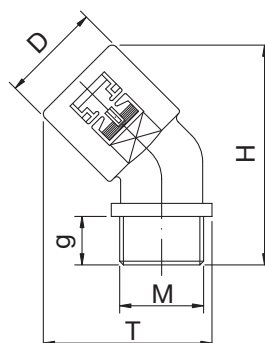
PA-S O B



Codice grigio	Codice nero	Diametro Nominale	M	g	D	L	H	SW	Peso kg/100 pz.	Conf. pz.
PA-S O G-07M101	PA-S O B-07M101	07	10x1,0	10,0	17,2	43,8	42,8	15		50
PA-S O G-07M12	PA-S O B-07M12	07	12x1,5	10,0	17,2	44,5	42,8	15	0,87	50
PA-S O G-07M16	PA-S O B-07M16	07	16x1,5	10,0	17,2	46,5	42,8	15	0,89	50
PA-S O G-07M20	PA-S O B-07M20	07	20x1,5	10,0	17,2	47,5	42,8	15	0,93	50
VP-S R G-10M16	VP-S R B-10M16	10	16x1,5	9,0	21,1	56,0	37,5	20		50
VP-S R G-10M20	VP-S R B-10M20	10	20x1,5	9,0	21,1	58,0	37,5	24		50
VP-S R G-12M20	VP-S R B-12M20	10	20x1,5	9,0	23,9	59,0	41,2	24		50
PA-S O G-17M25	PA-S O B-17M25	17	25x1,5	10,0	27,0	50,0	45,0	32		50
PA-S O G-23M32	PA-S O B-23M32	23	32x1,5	11,0	35,0	67,5	55,0	41	3,15	50

* UL recognized File E 168970

Raccordo 45° filetto nylon metrico maschio, IP54



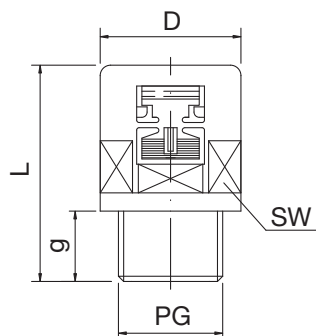
PA-A O G

PA-A O B

Codice grigio	Codice nero	Diametro Nominale	M	g	D	H	T	Peso kg/100 pz.	Conf. pz.
PA-A O G-07M101	PA-A O B-07M101	07	10x1,0	10,0	17,2	55,2	33,7		50
PA-A O G-07M12	PA-A O B-07M12	07	12x1,5	10,0	17,2	55,2	34,5		50
PA-A O G-07M16	PA-A O B-07M16	07	16x1,5	10,0	17,2	55,2	36,5		50
PA-A O G-07M20	PA-A O B-07M20	07	20x1,5	10,0	17,2	55,2	37,5		50

* UL recognized File E 168970

Raccordo diritto filetto nylon PG maschio, IP54



PA-G O G

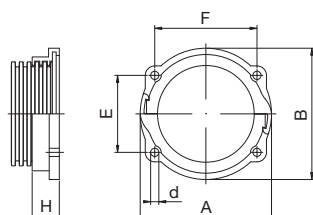
PA-G O B



Codice grigio	Codice nero	Diametro Nominale	PG	g	D	L	SW	Peso kg/100 pz.	Conf. pz.
PA-G O G-07P07	PA-G O B-07P07	07	07	8,2	17,5	34,5	15	0,34	50
PA-G O G-07P09	PA-G O B-07P09	07	09	9,7	18,5	36,0	15	0,34	50
PA-G O G-07P11	PA-G O B-07P11	07	11	9,7	21,5	36,0	15	0,36	50
PA-G O G-07P13	PA-G O B-07P13	07	13,5	9,7	24,0	36,0	15	0,38	50
PA-G O G-10P07	PA-G O B-10P07	10	07	12,0	18,0	36,0	15	0,32	50
PA-G O G-10P09	PA-G O B-10P09	10	09	12,0	18,5	36,0	15	0,33	50
PA-G O G-10P11	PA-G O B-10P11	10	11	12,0	20,0	36,0	15	0,44	50
PA-G O G-10P13	PA-G O B-10P13	10	13,5	12,0	23,5	36,5	15	0,40	50
PA-G O G-12P09	PA-G O B-12P09	12	09	12,5	20,8	36,5	17	0,36	50
PA-G O G-12P11	PA-G O B-12P11	12	11	12,5	21,0	36,5	17	0,42	50
PA-G O G-12P13	PA-G O B-12P13	12	13,5	12,5	22,5	36,5	17	0,45	50
PA-G O G-17P11	PA-G O B-17P11	17	11	12,5	27,0	40,5	24	0,73	50
PA-G O G-17P13	PA-G O B-17P13	17	13,5	13,0	27,0	41,0	24	0,70	50
PA-G O G-17P16	PA-G O B-17P16	17	16	13,0	27,0	41,0	24	0,75	50
PA-G O G-17P21	PA-G O B-17P21	17	21	12,5	33,0	41,5	24	0,90	50
PA-G O G-23P16	PA-G O B-23P16	23	16	14,0	35,0	53,0	32	1,50	50
PA-G O G-23P21	PA-G O B-23P21	23	21	14,0	35,0	53,0	32	1,55	30
PA-G O G-29P29	PA-G O B-29P29	29	29	14,0	42,0	54,0	38	2,10	30
PA-G O G-36P29	PA-G O B-36P29	36	29	14,0	52,0	57,5	46	2,70	10
PA-G O G-36P36	PA-G O B-36P36	36	36	14,0	51,5	57,5	46	3,30	10
PA-G O G-48P42	PA-G O B-48P42	48	42	15,0	65,0	62,5	60		10
PA-G O G-48P48	PA-G O B-48P48	48	48	14,5	64,5	62,0	60	5,20	10

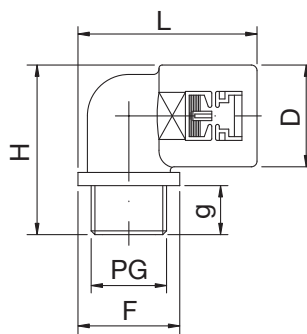
Altre misure disponibili a richiesta

* UL recognized File E 168970



Codice grigio	Codice nero	Diametro Nominale	A	B	H	E	F	d	Conf. pz.
PA-G O G-52	PA-G O B-52	52	77	74	17	60	66	6,5	1
PA-G O G-70	PA-G O B-70	70	103	103	21	61	81	6,5	1
PA-G O G-95	PA-G O B-95	95	130	130	28	74	119	6,5	1

Raccordo 90° filetto nylon PG maschio, IP54



PA-W O G

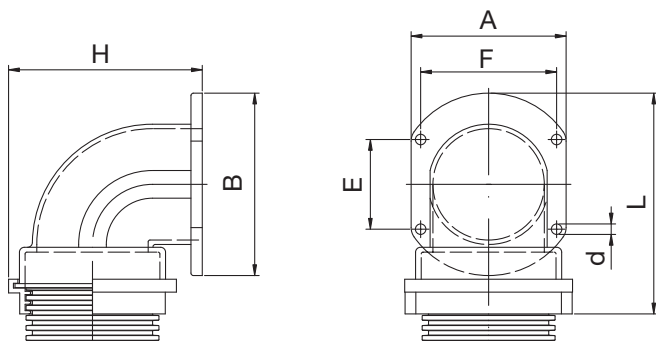
PA-W O B



Codice grigio	Codice nero	Diametro Nominale	PG	g	D	L	H	F	Peso kg/100 pz.	Conf. pz.
PA-W O G-07P07	PA-W O B-07P07	07	07	8,0	17,2	44,0	29,6	17,5	0,63	50
PA-W O G-10P07	PA-W O B-10P07	10	07	10,5	18,0	38,3	33,5	18,0	0,70	50
PA-W O G-10P09	PA-W O B-10P09	10	09	10,5	18,0	39,3	33,5	20,0	0,70	50
PA-W O G-10P11	PA-W O B-10P11	10	11	10,5	18,0	39,3	33,5	20,0	0,80	50
PA-W O G-10P11K	PA-W O B-10P11K	10	11	8,0	18,0	40,5	31,5	22,5	0,71	50
PA-W O G-10P13	PA-W O B-10P13	10	13,5	11,0	18,0	41,3	34,5	24,0	0,77	50
PA-W O G-12P09	PA-W O B-12P09	12	09	11,0	20,8	42,0	36,5	21,0	0,86	50
PA-W O G-12P11	PA-W O B-12P11	12	11	11,0	20,8	43,0	36,5	23,0	0,88	50
PA-W O G-12P13	PA-W O B-12P13	12	13,5	11,0	20,8	43,3	36,5	23,5	0,84	50
PA-W O G-17P13	PA-W O B-17P13	17	13,5	13,0	27,0	47,5	45,0	27,0	1,25	50
PA-W O G-17P16	PA-W O B-17P16	17	16	13,0	27,0	47,5	45,0	27,0	1,26	50
PA-W O G-23P21	PA-W O B-23P21	23	21	14,0	35,0	65,0	54,0	35,0	2,60	30
PA-W O G-29P29	PA-W O B-29P29	29	29	14,0	41,8	73,8	60,9	42,5	3,60	30
PA-W O G-36P36	PA-W O B-36P36	36	36	14,0	51,0	86,3	70,0	51,5	6,20	10
PA-W O G-48P48	PA-W O B-48P48	48	48	14,0	63,8	102,5	82,3	64,5	9,50	10

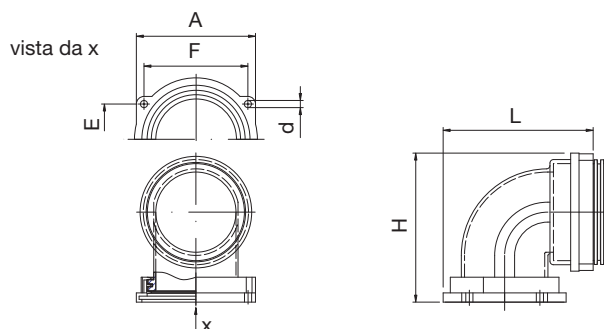
Altre misure disponibili a richiesta

* UL recognized File E 168970



Codice grigio	Codice nero	Diametro Nominale	A	B	H	E	F	L	d	Conf. pz.
PA-W O G-52	PA-W O B-52	52	74	80	94	66	60	105	6,5	1
PA-W O G-70	PA-W O B-70	70	96	112	120	60-61	80-81	136	6,5	1
PA-W O G-95	PA-W O B-95	95	126	143	145	74-75	108-110	173	6,5	1

Raccordo 90° girevole, IP54



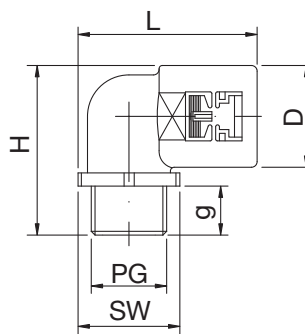
PA-S O G

PA-S O B



Codice grigio	nero	Diametro Nominale	A	H	E	F	L	d	Conf. pz.
PA-S O G-52	PA-S O B-52	52	77	94	60	66	96	6,5	1
PA-S O G-70	PA-S O B-70	70	103	128	61	81	131	6,5	1
PA-S O G-95	PA-S O B-95	95	130	166	74	110	166	6,5	1

* UL recognized File E 168970



PA-S O G

PA-S O B

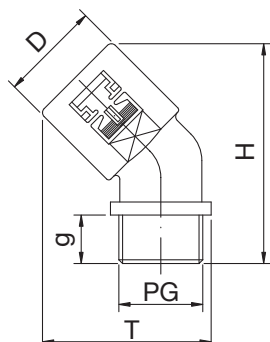


Codice grigio	nero	Diametro Nominale	PG	g	D	L	H	SW	Peso kg/100 pz.	Conf. pz.
PA-S O G-07P07	PA-S O B-07P07	07	07	8,2	17,2	44,1	41,0	15	0,79	50
PA-S O G-07P09	PA-S O B-07P09	07	09	9,7	17,2	44,6	42,5	15	0,81	50
PA-S O G-07P11	PA-S O B-07P11	07	11	9,7	17,2	46,1	42,5	15	0,91	50
PA-S O G-07P13	PA-S O B-07P13	07	13,5	9,7	17,2	46,1	42,5	15	0,95	50
PA-S O G-17P16	PA-S O B-17P16	17	16	10,0	27,0	47,5	45,0	27	1,44	50
PA-S O G-23P21	PA-S O B-23P21	23	21	11,0	35,0	63,0	55,0	32	2,85	30

Altre misure disponibili a richiesta

* UL recognized File E 168970

Raccordo 45° filetto nylon PG maschio, IP54



PA-A O G

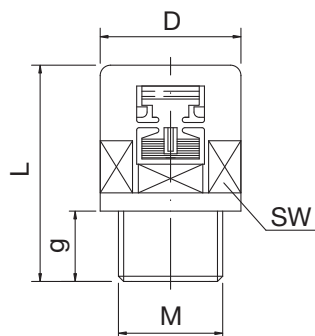
PA-A O B



Codice grigio	nero	Diametro Nominale	PG	g	D	H	T	Peso kg/100 pz.	Conf. pz.
PA-A O G-07P07	PA-A O B-07P07	07	07	8,2	17,2	53,4	34,0		50
PA-A O G-07P09	PA-A O B-07P09	07	09	9,7	17,2	54,9	34,5		50
PA-A O G-07P11	PA-A O B-07P11	07	11	9,7	17,2	54,9	36,0		50
PA-A O G-07P13	PA-A O B-07P13	07	13,5	9,7	17,2	54,9	37,2		50
PA-A O G-10P09	PA-A O B-10P09	10	09	12,0	18,0	50,0	36,0	0,60	50
PA-A O G-12P11	PA-A O B-12P11	12	11	12,0	21,0	49,5	40,0	0,80	50
PA-A O G-17P16	PA-A O B-17P16	17	16	13,0	27,0	59,5	47,0	1,30	50
PA-A O G-23P21	PA-A O B-23P21	23	21	14,0	35,0	71,0	63,0	2,60	30
PA-A O G-29P29	PA-A O B-29P29	29	29	14,0	41,8	79,0	72,0	3,60	30

* UL recognized File E 168970

Raccordo diritto filetto metallico metrico maschio, IP54



PM-G O G

PM-G O B

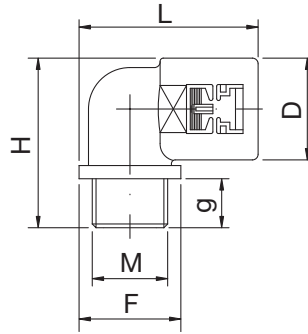


Codice grigio	nero	Diametro Nominale	M	g	D	L	SW	Peso kg/100 pz.	Conf. pz.
PM-G O G-10M16	PM-G O B-10M16	10	16x1,5	12,0	21,0	37,0	15		30
PM-G O G-10M20	PM-G O B-10M20	10	20x1,5	12,0	25,0	37,5	15	0,95	30
PM-G O G-12M16	PM-G O B-12M16	12	16x1,5	12,0	21,0	37,5	17	1,40	30
PM-G O G-12M20	PM-G O B-12M20	12	20x1,5	12,0	25,0	37,5	17	1,35	30
PM-G O G-17M20	PM-G O B-17M20	17	20x1,5	12,0	27,5	40,0	24	2,00	30
PM-G O G-17M25	PM-G O B-17M25	17	25x1,5	14,0	32,0	42,0	24	1,94	30
PM-G O G-23M25	PM-G O B-23M25	23	25x1,5	14,0	36,0	53,0	32	3,70	30
PM-G O G-23M32	PM-G O B-23M32	23	32x1,5	14,0	39,0	53,0	32	3,68	30
PM-G O G-29M32	PM-G O B-29M32	29	32x1,5	14,0	42,0	54,0	38	5,30	20
PM-G O G-29M40	PM-G O B-29M40	29	40x1,5	14,0	51,0	54,0	38	5,46	20
PM-G O G-36M40	PM-G O B-36M40	36	40x1,5	14,0	51,5	58,5	46		10
PM-G O G-36M50	PM-G O B-36M50	36	50x1,5	18,0	60,5	63,0	46	10,42	10
PM-G O G-48M63	PM-G O B-48M63	48	63x1,5	15,5	70,0	66,5	60	15,95	10

Altre misure disponibili a richiesta

* UL recognized File E 168970

Raccordo 90° filetto metallico metrico maschio, IP54



PM-W O G

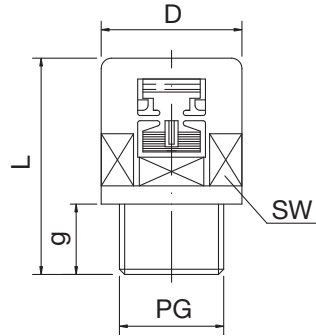
PM-W O B



Codice grigio	nero	Diametro Nominale	M	g	D	L	H	F	Peso kg/100 pz.	Conf. pz.
PM-W O G-12M16	PM-W O B-12M16	12	16 x 1,5	12	20,8	42,0	37,5	21,0	1,50	30
PM-W O G-17M20	PM-W O B-17M20	17	20 x 1,5	12	27,0	47,8	44,0	27,5	2,10	30
PM-W O G-23M25	PM-W O B-23M25	23	25 x 1,5	14	35,0	65,5	54,0	36,0	4,30	30
PM-W O G-29M32	PM-W O B-29M32	29	32 x 1,5	14	41,8	73,8	60,9	42,5	6,50	20
PM-W O G-36M40	PM-W O B-36M40	36	40 x 1,5	14	51,0	86,0	70,5	51,0	11,37	10
PM-W O G-48M50	PM-W O B-48M50	48	50 x 1,5	18	63,8	101,0	87,8	61,5	19,50	10

* UL recognized File E 168970

Raccordo diritto filetto metallico PG maschio, IP54



PM-G O G PM-G O B

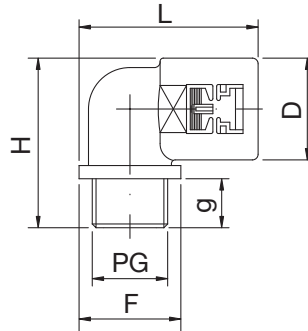


Codice grigio	nero	Diametro Nominale	PG	g	D	L	SW	Peso kg/100 pz.	Conf. pz.
PM-G O G-07P07	PM-G O B-07P07	07	07	8,5	17,5	34,8	15	0,78	50
PM-G O G-10P09	PM-G O B-10P09	10	09	12,0	18,8	37,0	15	0,90	30
PM-G O G-12P11	PM-G O B-12P11	12	11	12,0	21,0	37,0	17	1,40	30
PM-G O G-17P13	PM-G O B-17P13	17	13,5	12,0	27,5	40,0	24	1,85	30
PM-G O G-17P16	PM-G O B-17P16	17	16	12,0	27,5	40,0	24	2,00	30
PM-G O G-23P21	PM-G O B-23P21	23	21	14,0	35,5	53,0	32	3,70	30
PM-G O G-29P29	PM-G O B-29P29	29	29	14,0	42,5	54,0	38	5,30	20
PM-G O G-36P36	PM-G O B-36P36	36	36	17,0	52,5	62,0	46	8,40	10
PM-G O G-48P48	PM-G O B-48P48	48	48	17,0	65,0	66,0	60	15,20	10

Altre misure disponibili a richiesta

* UL recognized File E 168970

Raccordo 90° filetto metallico PG maschio, IP54



PM-W O G PM-W O B

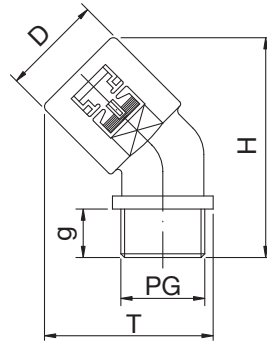


Codice grigio	nero	Diametro Nominale	PG	g	D	L	H	F	Peso kg/100 pz.	Conf. pz.
PM-W O G-07P07	PM-W O B-07P07	07	07	8,5	17,5	44,0	41,3	17,5	1,20	30
PM-W O G-10P09	PM-W O B-10P09	10	09	12,0	18,0	38,5	35,0	18,5	1,20	30
PM-W O G-12P11	PM-W O B-12P11	12	11	12,0	20,8	42,0	37,5	21,0	1,80	30
PM-W O G-17P13	PM-W O B-17P13	17	13,5	12,0	27,0	47,8	44,0	27,5	2,40	30
PM-W O G-17P16	PM-W O B-17P16	17	16	12,0	27,0	47,8	44,0	27,5	2,40	30
PM-W O G-23P21	PM-W O B-23P21	23	21	14,0	35,0	65,2	54,0	35,5	4,60	30
PM-W O G-29P29	PM-W O B-29P29	29	29	14,0	41,8	74,3	60,9	43,5	6,80	20
PM-W O G-36P36	PM-W O B-36P36	36	36	17,0	51,0	86,6	74,5	52,0	11,30	10
PM-W O G-48P48	PM-W O B-48P48	48	48	17,0	63,8	103,0	86,8	65,5	19,70	10

Altre misure disponibili a richiesta

* UL recognized File E 168970

Raccordo 45° filetto metallico PG maschio, IP54



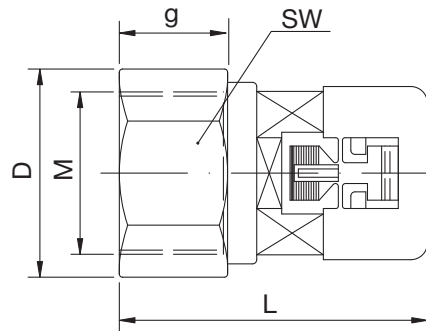
PM-A O G PM-A O B



Codice grigio	nero	Diametro Nominale	PG	g	D	H	T	Peso kg/100 pz.	Conf. pz.
PM-A O G-07P07	PM-A O B-07P07	07	07	08	17,2	41,1	34,0	1,00	30
PM-A O G-10P09	PM-A O B-10P09	10	09	12	18,0	50,0	36,0	1,20	30
PM-A O G-12P11	PM-A O B-12P11	12	11	12	21,0	51,0	40,0	1,90	30
PM-A O G-17P16	PM-A O B-17P16	17	16	12	27,0	58,0	47,0	2,40	30
PM-A O G-23P21	PM-A O B-23P21	23	21	14	35,0	71,0	63,0	4,80	30
PM-A O G-29P29	PM-A O B-29P29	29	29	14	41,8	79,0	72,0	7,00	20

* UL recognized File E 168970

Raccordo diritto filetto PG femmina, IP54



PA-I O G

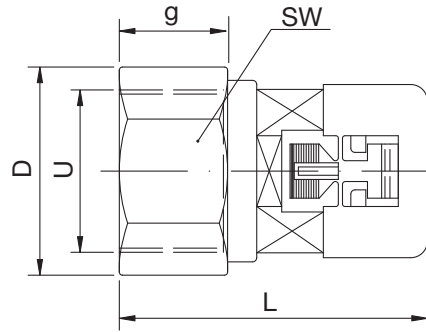
PA-I O B



Codice grigio	nero	Diametro Nominale	PG	g	L	D	SW	Peso kg/100 pz.	Conf. pz.
PA-I O G-07P07	PA-I O B-07P07	07	07	11,0	38,8	17,2	15	0,41	50
PA-I O G-10P07	PA-I O B-10P07	10	07	12,0	36,0	19,0	17	0,41	50
PA-I O G-10P09	PA-I O B-10P09	10	09	12,0	35,0	21,7	19	0,41	50
PA-I O G-12P11	PA-I O B-12P11	12	11	13,0	37,0	24,8	22	0,45	50
PA-I O G-12P13	PA-I O B-12P13	12	13,5	11,0	37,0	27,0	24	0,55	50
PA-I O G-17P13	PA-I O B-17P13	17	13,5	13,5	39,0	28,5	24	0,91	50
PA-I O G-17P16	PA-I O B-17P16	17	16	13,0	39,0	33,2	30	0,80	50
PA-I O G-23P21	PA-I O B-23P21	23	21	14,5	52,0	36,0	32	1,57	30
PA-I O G-29P29	PA-I O B-29P29	29	29	18,5	57,0	47,5	42	2,22	30
PA-I O G-36P36	PA-I O B-36P36	36	36	21,0	63,5	59,8	54	3,87	10
PA-I O G-48P48	PA-I O B-48P48	48	48	21,0	67,5	73,0	65	5,81	10

* UL recognized File E 168970

Raccordo diritto filetto UNEF/UNS femmina, IP54



PA-I O G

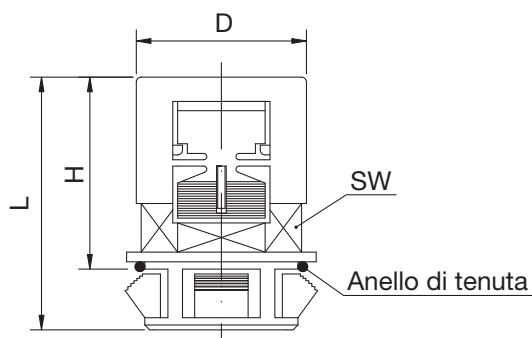
PA-I O B



Codice grigio	Codice nero	Diametro Nominale	U	g	L	D	SW	Peso kg/100 pz.	Conf. pz.
PA-I O G-07U05	PA-I O B-07U05	07	5/8"-24	11,0	38,5	18,5	15	0,41	50
PA-I O G-10U05	PA-I O B-10U05	10	5/8"-24	12,0	35,5	21,5	19	0,39	50
PA-I O G-10U07	PA-I O B-10U07	10	3/4"-20	12,0	36,5	27,0	24	0,58	50
PA-I O G-12U05	PA-I O B-12U05	12	5/8"-24	12,0	35,5	21,5	19	0,39	50
PA-I O G-12U06	PA-I O B-12U06	12	11/16"-24	13,0	37,0	25,0	22	0,52	50
PA-I O G-12U07	PA-I O B-12U07	12	3/4"-20	11,0	36,0	27,1	24	0,68	50
PA-I O G-12U09	PA-I O B-12U09	12	7/8"-20	12,0	37,0	30,2	27	0,55	50
PA-I O G-12U10	PA-I O B-12U10	12	15/16"-20	11,0	37,0	30,2	27	0,55	50
PA-I O G-17U07	PA-I O B-17U07	17	3/4"-20	16,0	41,0	27,0	24		50
PA-I O G-17U09	PA-I O B-17U09	17	7/8"-20	15,5	41,0	30,2	27	0,77	50
PA-I O G-17U10	PA-I O B-17U10	17	15/16"-20	15,0	41,5	30,5	27	0,77	50
PA-I O G-17U11	PA-I O B-17U11	17	1"-20	14,5	41,5	33,7	30	0,90	50
PA-I O G-17U14	PA-I O B-17U14	17	13/16"-18	12,5	42,0	37,8	34	1,00	50
PA-I O G-17U17	PA-I O B-17U17	17	13/8"-18	12,5	42,5	40,5	37	1,10	50
PA-I O G-23U14	PA-I O B-23U14	23	13/16"-12	6,5	47,0	39,0	36		30
PA-I O G-23U17	PA-I O B-23U17	23	13/8"-18	14,5	53,5	40,5	38	1,60	30
PA-I O G-23U18	PA-I O B-23U18	23	17/16"-18	14,5	55,5	43,5	32	2,22	30
PA-I O G-29U18B	PA-I O B-29U18B	29	17/16"-8	7,0	56,5	41,8	38	2,15	30
PA-I O G-29U24	PA-I O B-29U24	29	2"-18 UNS	14,0	56,5	59,3	55	2,70	30

* UL recognized File E 168970

Raccordo diritto ad incastro, IP54



PA-G O G

PA-G O B



Codice grigio	nero	Diametro Nominale	Foro per PG	Foro Ø B	H	L	D	W	Peso kg/100 pz.	Conf. pz.
PA-G O G-07S13	PA-G O B-07S13	07	07	12,5	28,3	38,0	17,5	15	0,36	50
PA-G O G-10S15	PA-G O B-10S15	10	09	15,2	26,0	37,5	20,0	15	0,40	50
PA-G O G-12S19	PA-G O B-12S19	12	11	18,6	26,0	37,5	23,0	17	0,47	50
PA-G O G-17S22	PA-G O B-17S22	17	16	22,5	28,5	40,5	27,0	24	1,00	50
PA-G O G-23S28	PA-G O B-23S28	23	21	28,3	40,0	52,0	35,0	32	1,60	30
PA-G O G-23S32	PA-G O B-23S32	23	M32	32,2	40,0	51,5	39,0	32	1,40	30
PA-G O G-29S37	PA-G O B-29S37	29	29	37,0	41,0	57,5	44,0	38	2,80	30

Questo raccordo ad incastro evita di dover filettare il foro.

Lo spessore della parete deve essere 1-2,5 mm.

* UL recognized File E 168970